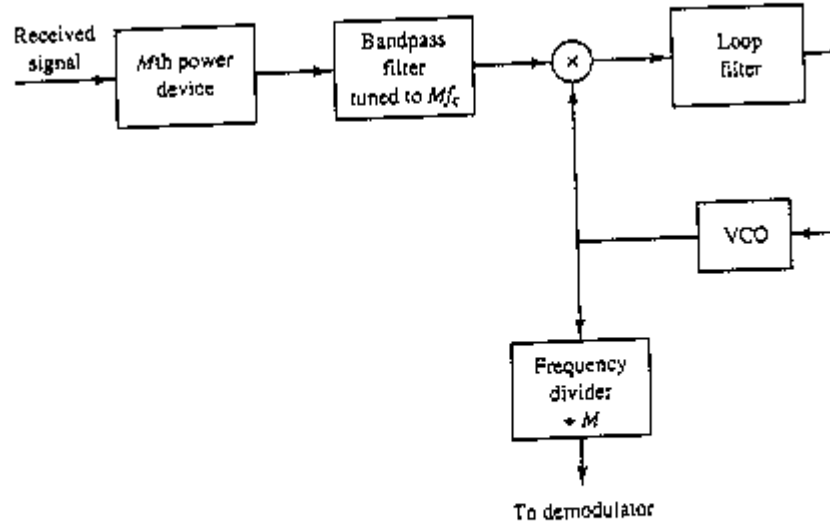


# 16.543 Notes 8 Supplement

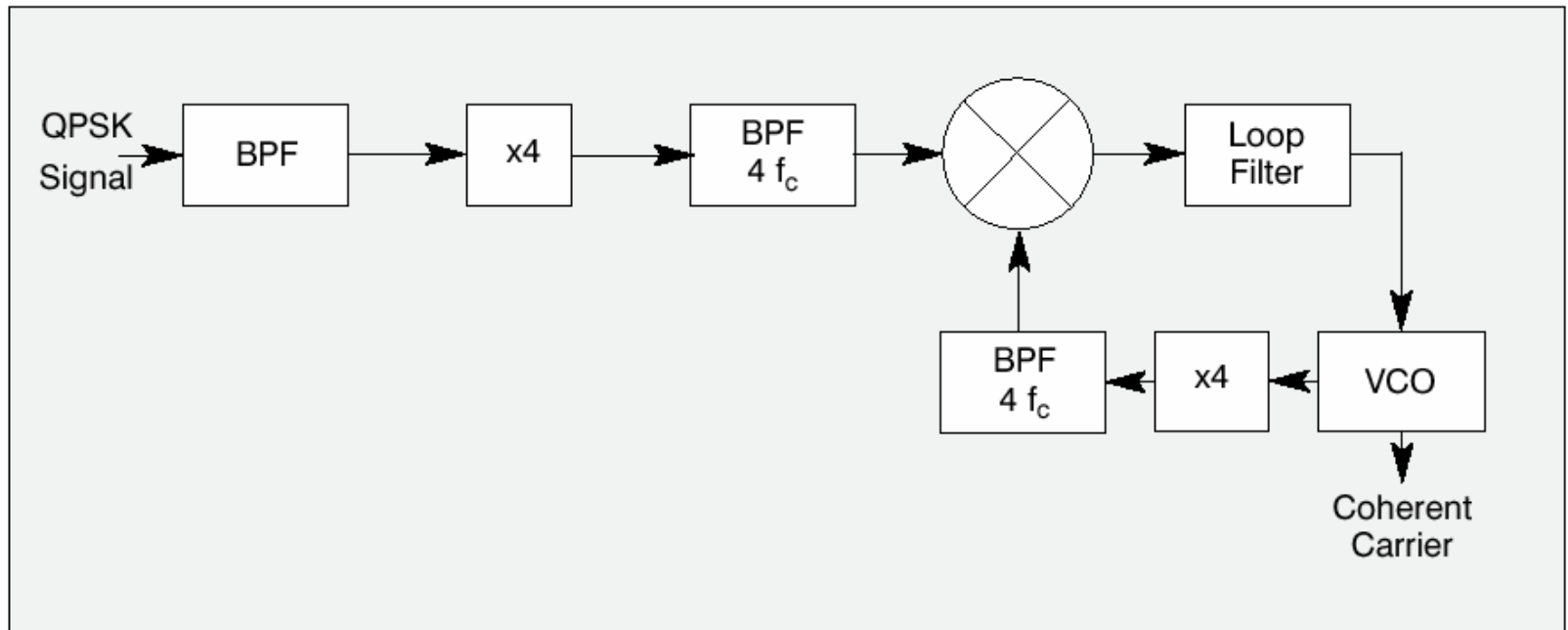
Carrier and Bit Synchronization in  
Digital Communication Systems

# M'th order Carrier Recovery loop

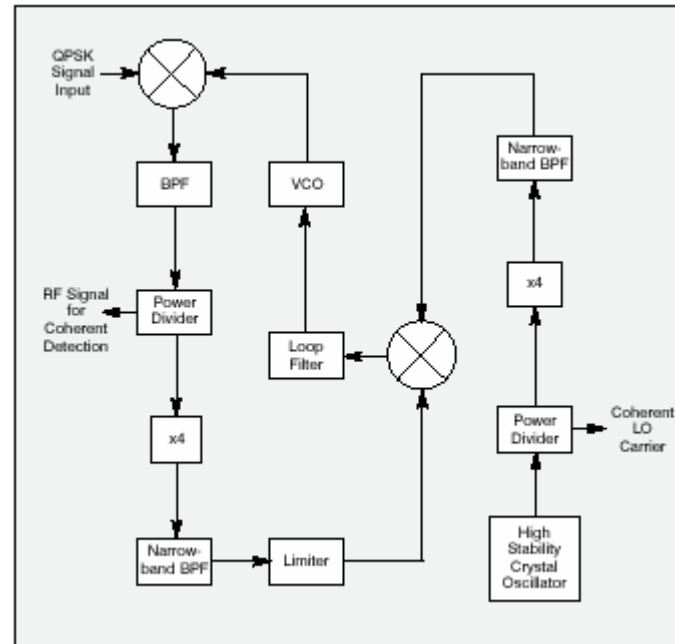


Carrier-phase estimation for M-ary PSK signals.

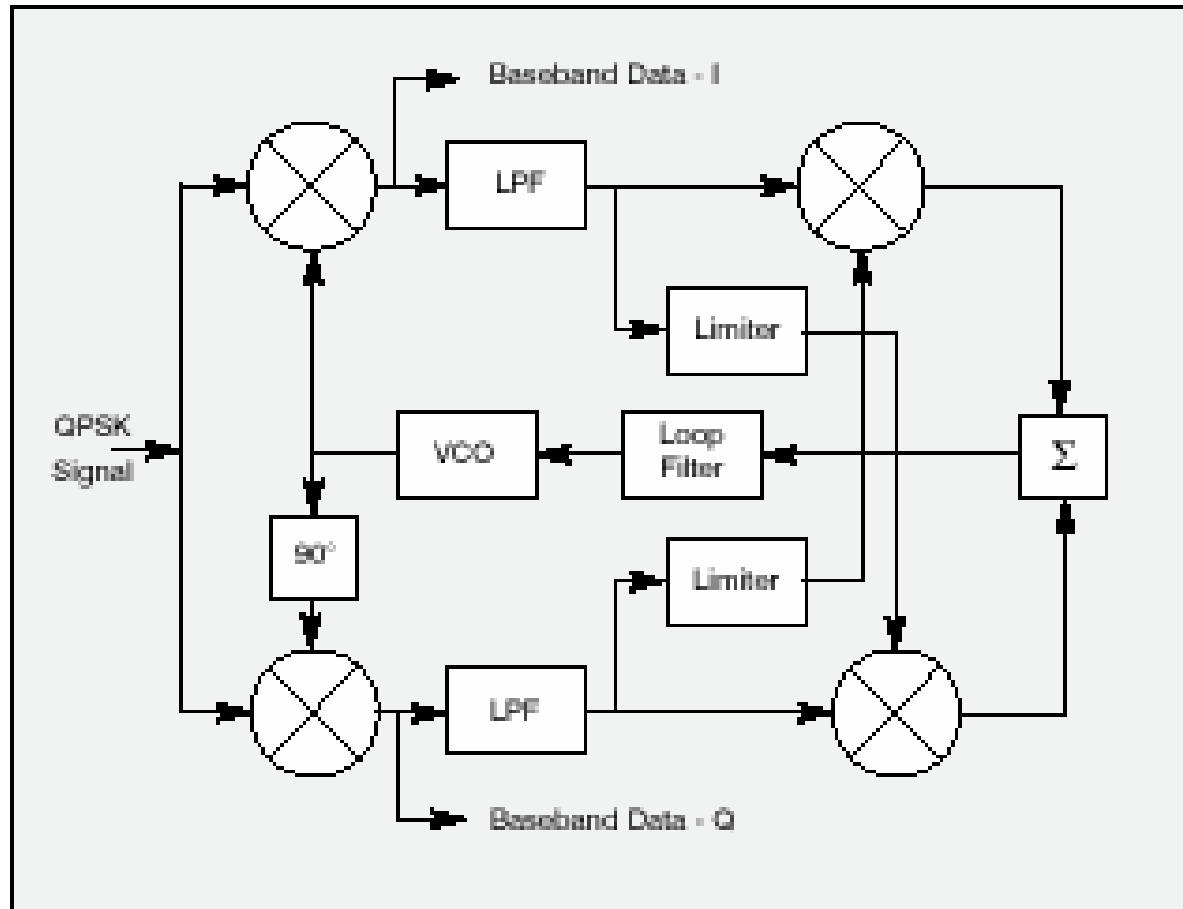
# 4<sup>th</sup> order loop for QPSK carrier recovery



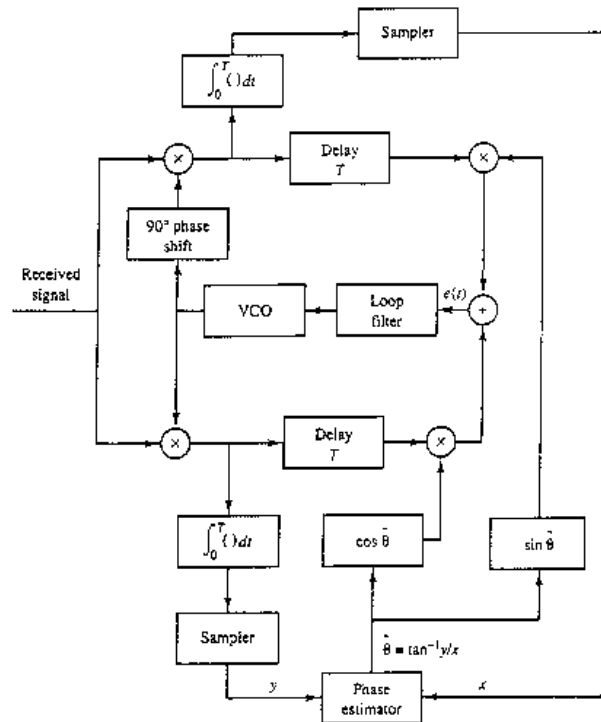
# Long Loop Method for QPSK carrier Recovery



# Costas Loop

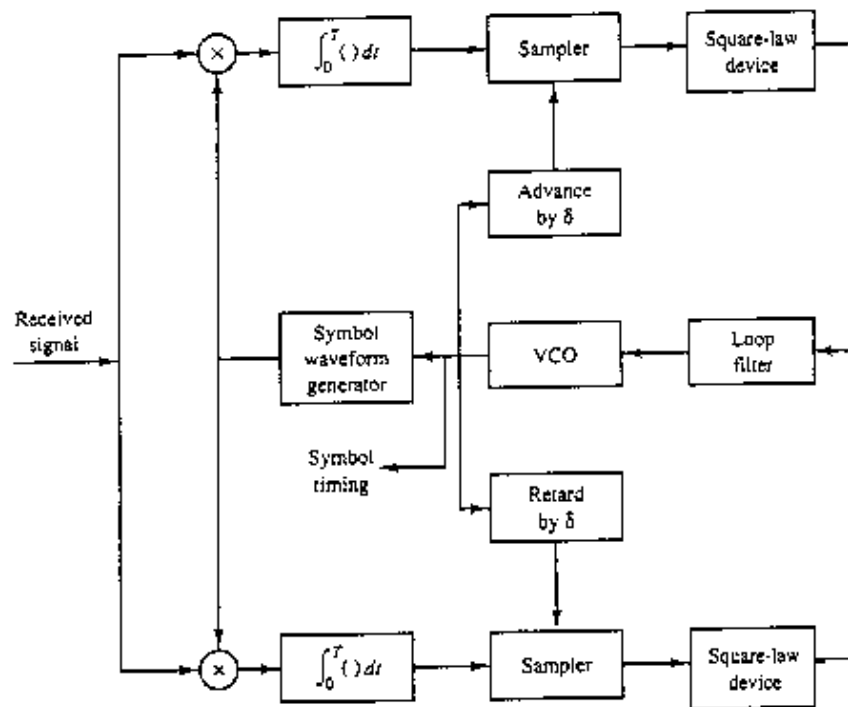


# DFPLL Carrier Recovery



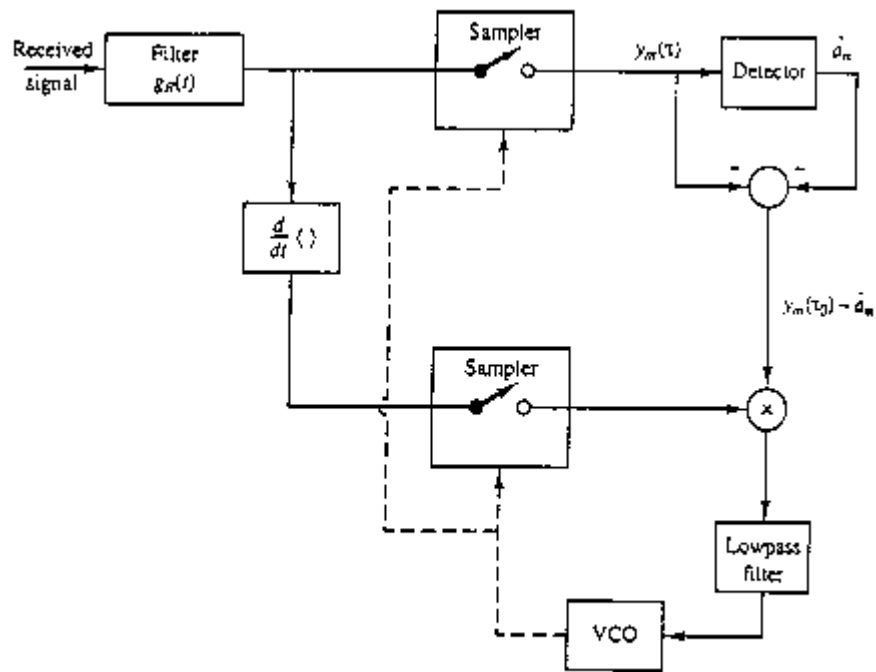
Carrier recovery for M-ary PSK using a DFPLL.

# Early Late Gate Synchronizer (alternate)



Block diagram of early-late gate synchronizer—an alternative form.

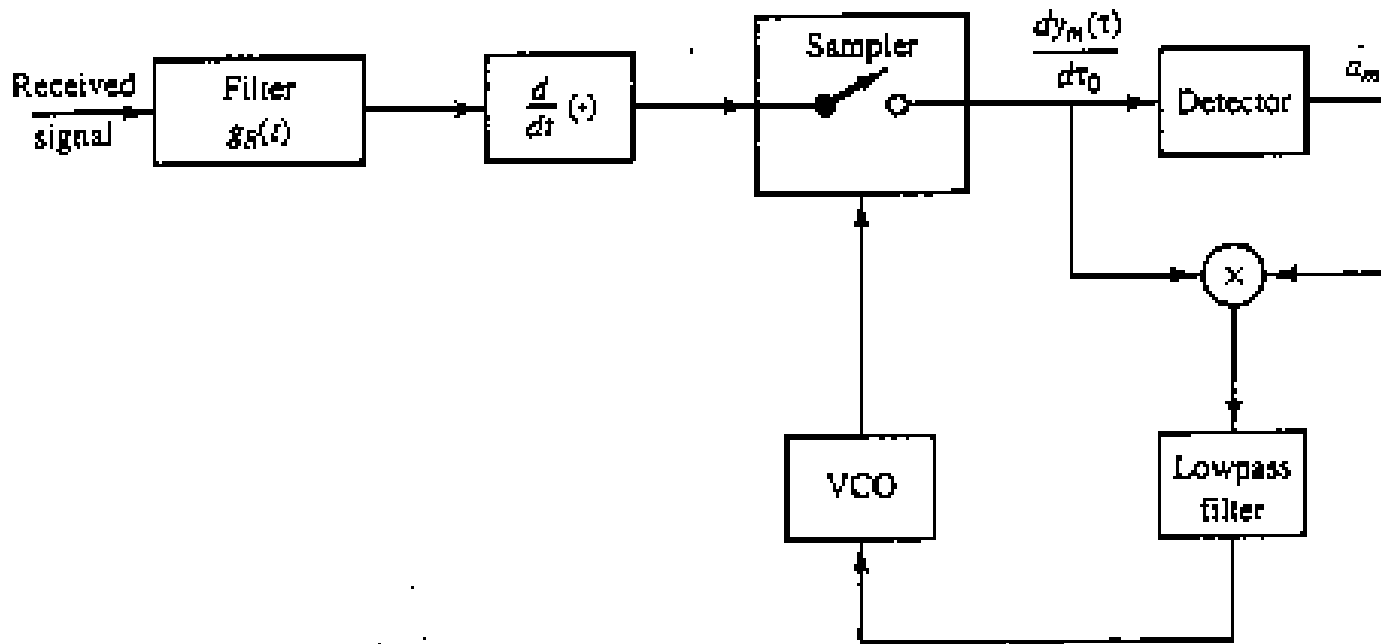
# MSE Synchronizer



Timing recovery based on minimization of MSE.

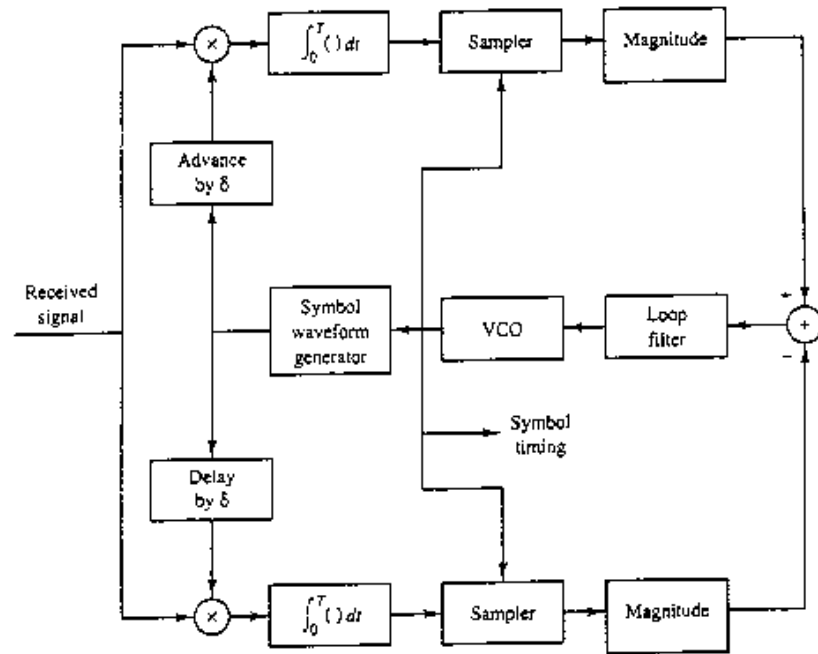


# Decision Directed Timing Recovery



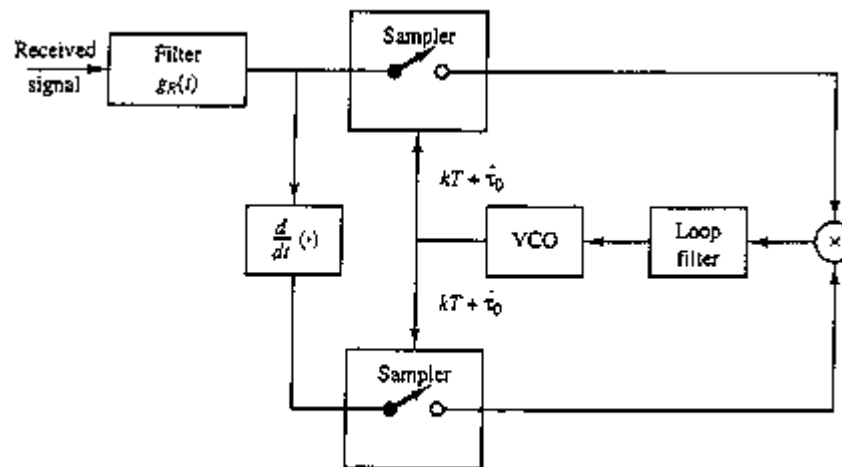
Decision-directed ML timing recovery method for baseband PAM.

# Early Late Synchronizer



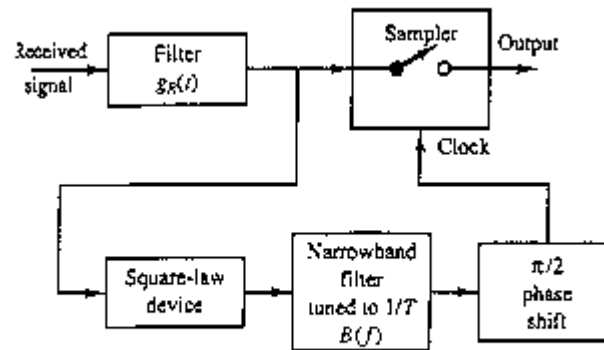
Block diagram of early-late gate synchronizer.

# Non-DD Timing Estimator



Non-decision-directed estimation of timing for baseband PAM.

# Spectral Line Method



Symbol timing based on spectral-line method.